

T

OPSUND

L I G H T I N G

Micro Magnetic Track System

For Exhibition Lighting





Magnets make life simple

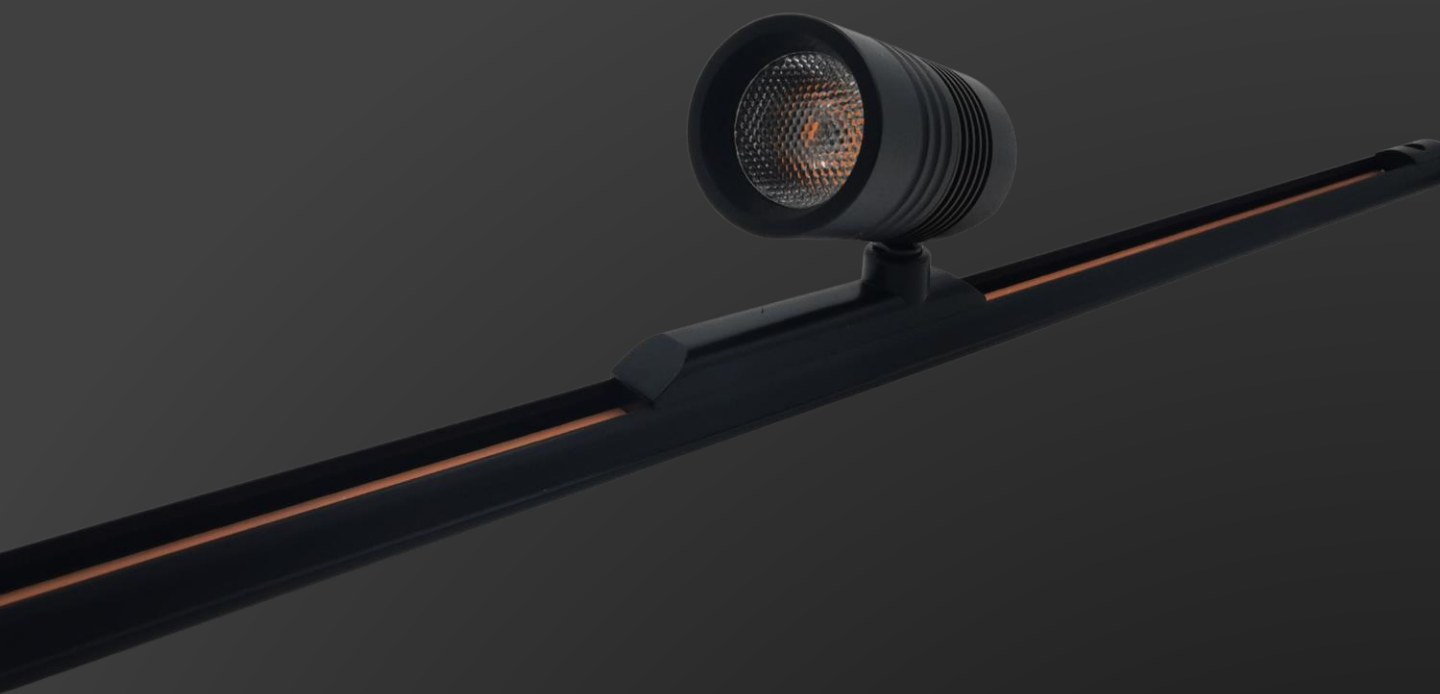
Innovative program of ultra-miniaturized structures in recessed and surface versions. Compatible with a wide range of professional lighting solutions by means of magnetic fixing. The ultimate solution for exhibition lighting.





The ultimate solution for exhibition lighting

A complete and professional program that, in addition to its reduced dimensions, provides a balanced and attractive light to highlight each object in the best way and in 360°.



Projector

LED micro-projectors with integrated cut-off solutions and dedicated lenses to create contrasts and light accents

Projector



G1839V-C

OPTIONS

Color	RAL9004
Beam angle	10° / 30° / 45°
CCT	2700K / 3000K / 4000K / 5000K
CRI	95Ra
Electrical option	Non Dim / 0-10V

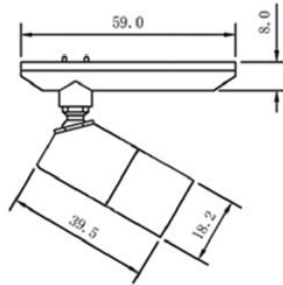
DC
12V

IP
20

Bridg
elux



Dimension (mm)



Model	W	LUM	CCT	CRI
G1839V-C	1.5	150	4000K	95

T2231V-C

OPTIONS

Color	RAL9004
Beam angle	8° - 60°
CCT	2700K / 3000K / 4000K / 5000K
CRI	95Ra
Electrical option	Non Dim / 0 - 10V



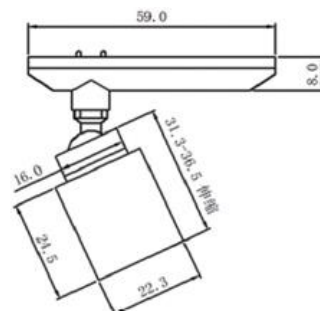
DC
12V

IP
20

Bridg
elux



Dimension (mm)



Model	W	LUM	CCT	CRI
T2231V-C	2	200	4000K	95

Projector



G1839V-C

OPTIONS

Color	RAL9004
Beam angle	10° / 30° / 45°
CCT	2700K / 3000K / 4000K / 5000K
CRI	95Ra
Electrical option	Non Dim / 0-10V

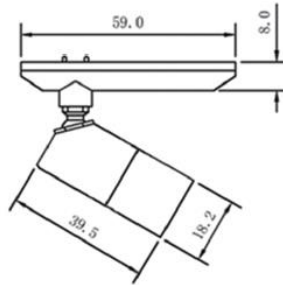
DC
12V

IP
20

Bridg
elux



Dimension (mm)



Model	W	LUM	CCT	CRI
G1839V-C	3	300	4000K	95

G6010V-C

OPTIONS

Color	RAL9004
Beam angle	10° / 30° / 60°
CCT	2700K / 3000K / 4000K / 5000K
CRI	95Ra
Electrical option	Non Dim / 0 – 10V



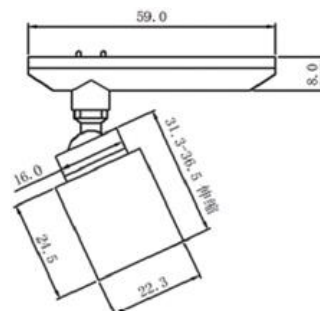
DC
12V

IP
20

Bridg
elux



Dimension (mm)



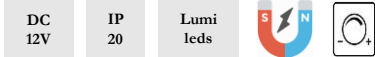
Model	W	LUM	CCT	CRI
G6010V-C	2	200	4000K	95



Linear

Complete linear micro-profile with opal diffuser screen for diffused light details.

Linear



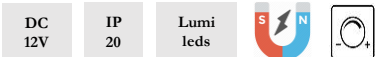
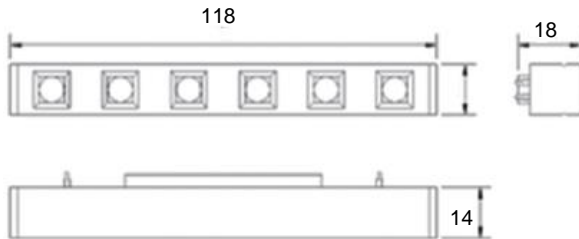
Model	W	LUM	CCT	CRI
G1214L-3X	3	300	4000K	95

G1214L-3X

OPTIONS

Color	RAL9004
Beam angle	36°
CCT	2700K / 3000K / 4000K / 5000K
CRI	95Ra
Electrical option	Non Dim / 0-10V

Dimension (mm)



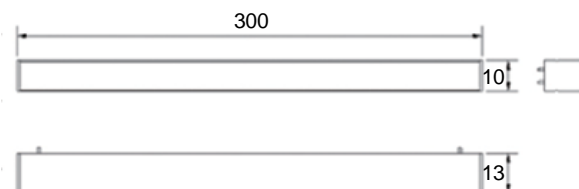
Model	W	LUM	CCT	CRI
G3001L-3X	3	300	4000K	95

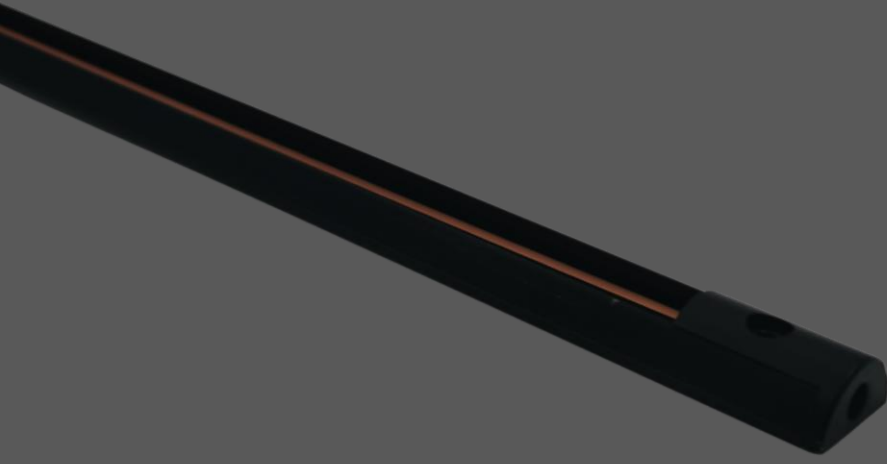
G3001L-3X

OPTIONS

Color	RAL9004
Beam angle	120°
CCT	2700K / 3000K / 4000K / 5000K
CRI	95Ra
Electrical option	Non Dim / 0-10V

Dimension (mm)





Small Profile

The incredibly small profile size that characterizes the program enhances the light's flexibility and its relationship with the architecture..

Profile

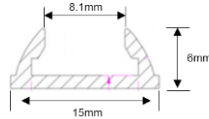


S15

DC 12V	IP 20
-----------	----------

OPTIONS

Color	RAL9004
Length	300mm / 500mm / 1000mm
Installation	Surface Mount

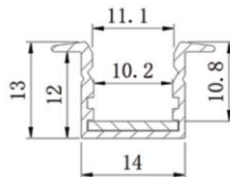


R14

DC 12V	IP 20
-----------	----------

OPTIONS

Color	RAL9004
Length	300mm / 500mm / 1000mm
Installation	Recessed

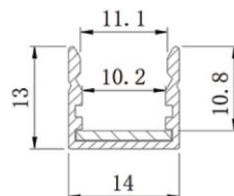


S14

DC 12V	IP 20
-----------	----------

OPTIONS

Color	RAL9004
Length	300mm / 500mm / 1000mm
Installation	Surface Mount





Topsund Lighting Co.,LTD

www.topsund-led.com

info@topsund-led.com

6Floor,Xinggong Road,Yutang street

Guangming District